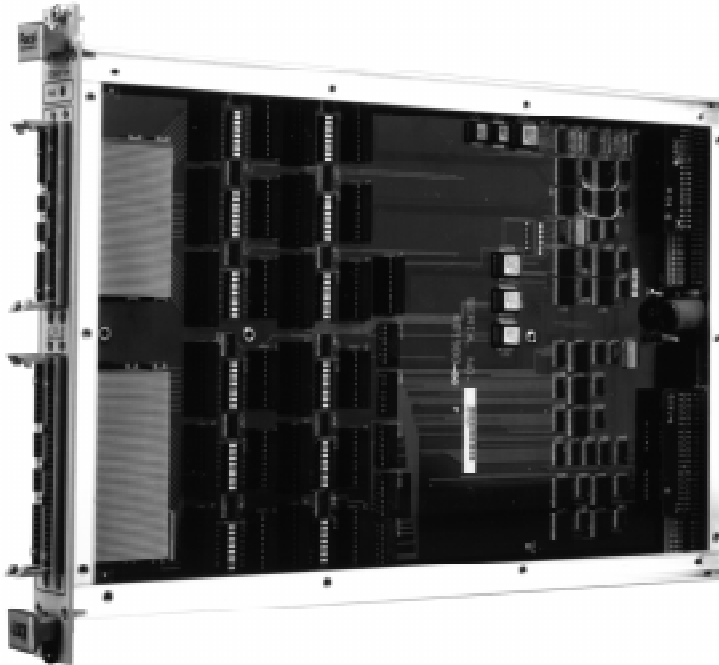




PRODUCT INFORMATION

Digital I/O Module Model 1260-14



- 96 TTL, CMOS or Open-collector Input/Output Channels
- Drives up to 32V and Sinks up to 200mA per channel
- Two-wire Programmable Hand shaking
- Synchronous, Asynchronous and Mixed Operating Modes
- 200kHz Data Rate
- Single-slot, C-size, Message-based VXibus Module

The Model 1260-14 provides 96 TTL, CMOS, or Open-collector channels in twelve groups of eight bits each. With the open collector version each independent group can utilize a separate internal or external pull-up supply up to 32VDC. These open collector transistors are ideal for controlling external digital circuitry, switches, relays and similar devices. Each channel is configureable as an input or an output. Channels are individually controlled in asynchronous mode or with other channels in synchronous mode.

The Model 1260-14 has a two-wire handshake mode available for the control of synchronous I/O transactions. Each handshake line can be programmed as either active high or active low providing a flexible interface with user signals.

The Model 1260-14 is programmable in several operating modes and data may be manipulated in either hex, decimal or binary. Memory is available on the 1260 Series Smart Card Module to allow buffered I/O operations.

The 1260-14 is also available in TTL or CMOS compatible I/O channels. Each TTL or CMOS I/O channel may be placed in a high impedance, tri-state mode.

The Model 1260-14 Digital I/O Module is supported by 1260 Series Option 01 message-based interface which is explained in detail on the Smart Card Module page. All 1260 control features explained on that page are available to this module.

1260-14 Specifications

Number of Channels

96

Data Rate

Static to 200kHz (Asynchronous, Register-Based)

Static to 800Hz (Synchronous)

Operating Modes

Asynchronous

Synchronous

Mixed (Synchronous and Asynchronous)

Input/Output

TTL, CMOS, or Open Collector TTL

Configuration

I/O lines selected as either input or output on an 8-bit byte basis

VXibus INTERFACE DATA

Cooling Requirements

Airflow: 1.2 liters/sec.

Back Pressure: 0.6mm H₂O

Power Requirements (I_{pm})

+5V: 2.38A, (if no internal supplies are used to pull up the outputs)

4.78A with Option 01 installed

Weight

2.69 lb (1.21 kg) without Option 01

2.97 lb (1.34 kg) with Option 01

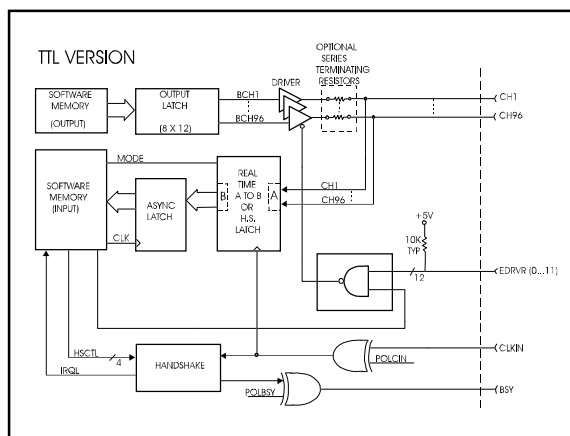
Mechanical

C-size, Single-slot VXibus Module

CE The CE Mark indicates that the product has completed and passed rigorous testing in the area of RF Emissions, Immunity to Electromagnetic Disturbances and complies with European electrical safety standards.

Output Voltage	Open Collector	TTL	CMOS
Vout (high)	$5V \leq V_{oh} \leq 32V$	$\geq 2.4V @ -15mA$	$\geq 3.8V @ 6mA$
Vout (low)	$\leq 1.5V @ I_{in} = 200mA$	$\leq 0.5V @ 48mA$	$\leq 0.4V @ 6mA$

Input Voltage	Open Collector	TTL	CMOS
Vin (high)	$\geq 2.0V$	$\geq 2.0V$	$\geq 3.15V$
Vin (low)	$\leq 1.5V$	$\leq 0.8V$	$\leq 0.9V$
Vin(max)	32VDC	5.25V	5.00V



Note: Module is supplied with one set of mating connectors. Additional connectors can be ordered using the part number shown below.

ORDERING INFORMATION

Model	Description	Part Number
1260-14	Digital I/O Module, CMOS Compatible	404916-001
1260-14	Digital I/O Module, TTL Compatible	404916
1260-14C	Digital I/O Module, Open Collector	407164
Option 01*	Smart Card Module (installed)	OPT-401901-005
601627	50-pin IDC Pin #601627 (2 supplied)	601627
601457	60-pin IDC Pin #601457 (2 supplied)	601457

*One Option 01 must be ordered with switch system. Please specify the card on which Option 01 will be installed.

RACAL INSTRUMENTS

RACAL

Racal Instruments, Inc., 4 Goodyear St., Irvine, CA 92618-2002. Tel: (800) RACAL-ATE, (800) 722-2528, (949) 859-8999; FAX: (949) 859-7139

Racal Instruments Ltd., 480 Bath Road, Slough, Berkshire, SL1 6BE, United Kingdom. Tel: +44 (0) 1628 604455; FAX: +44 (0) 1628 662017

Racal Systems Electronique S.A., 18 Avenue Dutartre, 78150 LeChesnay, France. Tel: +33 (1) 3923 2222; FAX: +33 (1) 3923 2225

Racal Systems Elettronica Srl, Strada 2-Palazzo C4, 20090 Milanofiori Assago, Milan, Italy. Tel: +39 (2) 5750 1796; FAX +39 (02) 5750 1828

Racal Instruments GmbH, Technologiepark Bergisch Gladbach, Friedrich-Ebert-Strasse, D-51429 Bergisch Gladbach, Germany. Tel.: +49 2204 8442 00;

FAX: +49 2204 8442 19

Racal Australia Pty Ltd., 3 Powells Road, Brookvale, NSW 2100, Australia. Tel: +612 9936 7000, FAX: +612 9936 7036

3/99Rev.1